



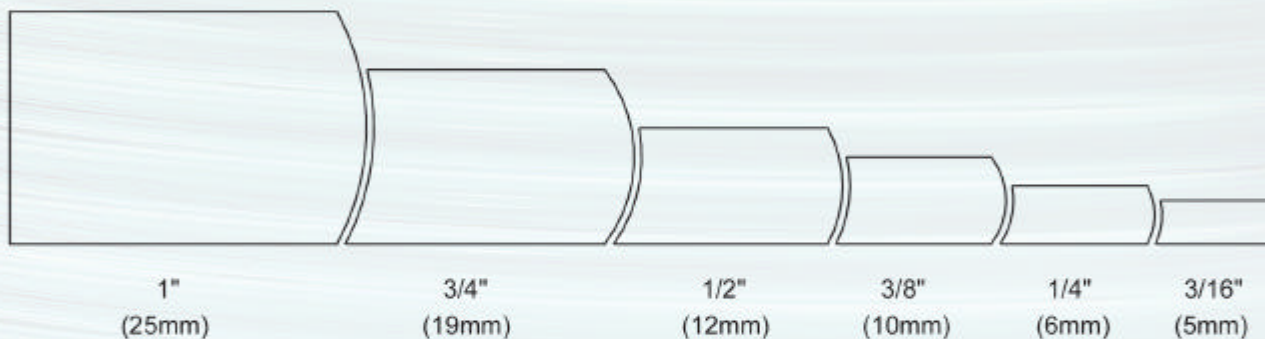
Custom Glass Fabricators

Clearly a Cut Above

TOLERANCES

	3/16"	1/4"	3/8"	1/2"	3/4"	1"
Tolerance (+/-)	1/16	1/16	3/32	1/8	3/16	1/4
Flat Polish & Ground (+/-)	1/16	1/16	3/32	1/4	1/4	1/2
Weights/Sq. Ft.	3.20	3.20	5.05	6.40	9.67	13.20

Glass Thickness



- Thickness **NOT** to scale

- General information is correct at time of publication and is subject to change without notice at sole discretion of Custom Glass Fabricators, Inc.